



Perfect Appearance Excellent Performance

精于静 精于动

B-25

OPERATING MANUAL



<http://www.facebook.com/FMSmodel>



www.fmsmodel.com

Please visit both our Facebook fanpage and our homepage for updated product information

Please read before operating this system!

We would like to congratulate you for purchasing an innovative and exciting new product from FMS war bird range.

This B-25 is designed to give optimum performance over a wide envelope and will give the budding RC pilot an exciting introduction into the world of twin engine war birds.

Main specification

SPECIFICATION

Wingspan	: 1470mm /57.9 in
Length	: 1130mm /44.5 in
Weight	: 1930g /68.1 oz
CG position	: 55-60mm
Est. Flying Time	: 6min
BATTERY	: 11.1V Li-Po Battery/3300mah
ESC	: 40A
Motor	: Outer Runner Brushless
Wing Area	: 28dm ²
Wing Load	: 69/dm ²
RC SYSTEM	: 6 Channel 8 Servos And 2 Brushless ESC



The airplane offers the following characteristics

High speed, high scale performance, and suitable for mediate or a above level modelers.

Statement

- 1 This is not a toy. It is for experienced modelers only. You are responsible for the safe operation of this model and any damage or harm it may cause;
- 2 Please adjust this plane according to instruction and make sure finger and other parts out of rotating parts of plane, or it may cause damage to the plane or injury.
- 3 Users should follow all instructions properly and assemble the model correctly. it is your responsibility to insure the battery's charged correctly, following the instructions.

Safety precautions !

Please read this section until you fully understand!

- (1) Do not fly in strong wind or bad weather.



X



- (2) Never fly the model in crowded areas, where there are lots of people, automobiles on the road or power lines overhead. Also do not to fly around the airport. Please make yourself enough room for the flying and operating, as the plane can travel at high speed. Remember you are responsible for the safety of others.



(3) Children under the age of 12 should have an adult guide. Never recommend for the children under the age of 14.



(4) Never leave the charger in wet conditions.



(5) The **B-25** is made from PA and polythene which are tinder. When it meets the heat, transfiguration can easily happen, so you must keep it away from heat.



(6) Do not attempt to catch the **B-25** while flying, please do not touch the propeller.



(7) Never leave this system unattended around children with battery in the unit, as injury may be caused due to children's turning on the transmitter or the plane.

(8) During the preparation for the flight, please remember to turn on the transmitter before connecting the battery pack.



(9) Close the throttle on the transmitter before connecting battery otherwise the motor may operate.



ASSEMBLY



1. Install the nacelles onto the main wing.



Screw
A. PA2.6X40(1PCS)
B. PA2.6X25(1PCS)



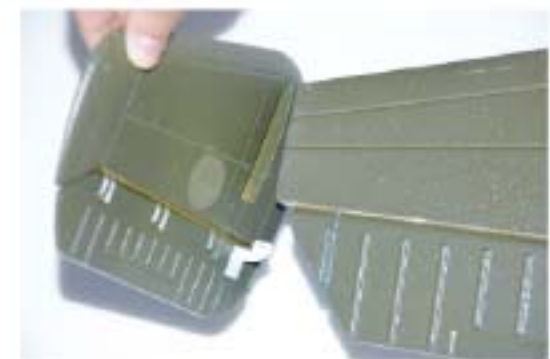
2. Tie up the wires with the self-lock ribbon.



Nacelles Installed



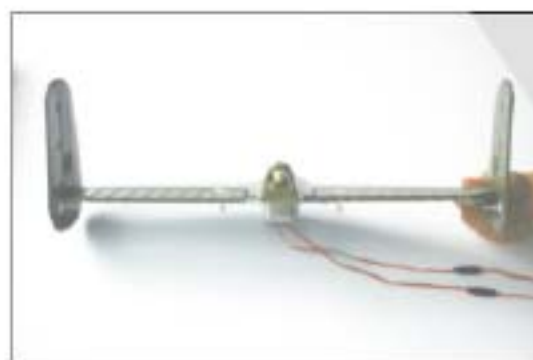
3. Apply glue on the combined side of the rudder.



4. Install the rudder.



5. Install the pushrod of the rudder.



The status of the completed rudder installation.



6. Install the elevator by running the two wires through the fuselage to the cockpit.



Screw
PA2.6X40(2PCS)



7. Apply glue on the combined side of the foam part of the machine gun.



8. Install the foam part of the nose machine gun.

ASSEMBLY



9. Apply the glue on the inner edge of the nose cowl.



Cowl Installed



10. Feed the wires to the cockpit from the front part of wing opening.



Note the configuration of the carbon fiber pipe. The longer one at the front of main wing opening. The shorter one at the end trailing edge.



11. Insert the main wing onto the tube for connecting to the fuselage.



12. The screws in the wing are to be fixed tightly.



The status of the completed main wing installation.



13. Install the propeller.



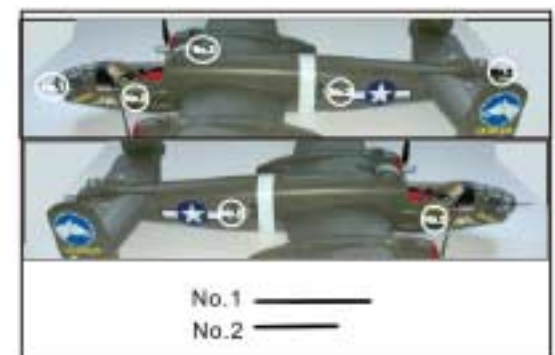
14. Install the spinner



NOTE PLEASE: From the elevator the left engine is rotating the clockwise and the right engine is rotating counter clockwise, the counter propeller with the label "Rev".



15. Install the gun barrel.



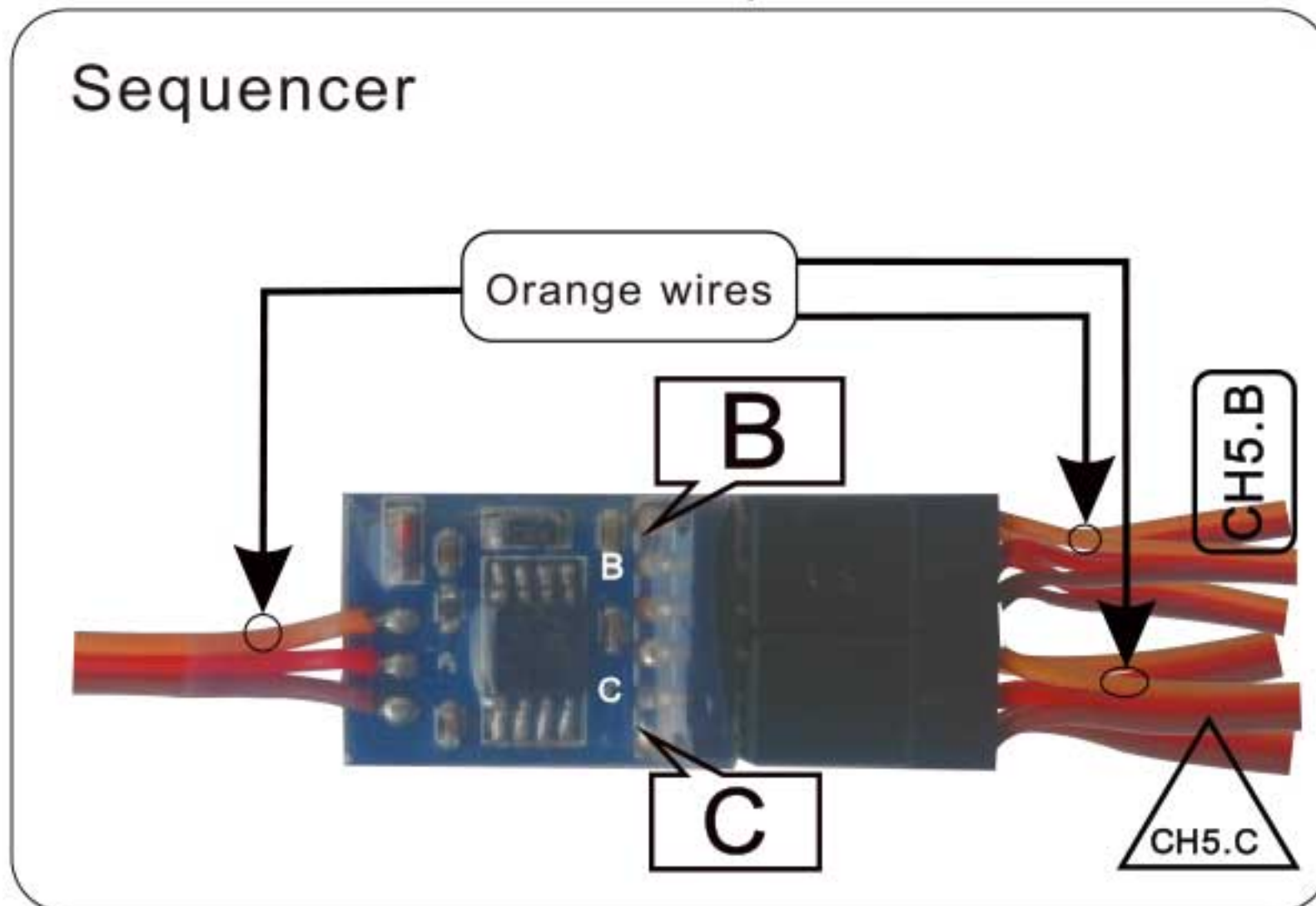
Show the position of the gun barrels.
No.1 are longer guns
No.2 are shorter guns

ASSEMBLY

16. Connect the wires in the cockpit area(FMS radio show).



A. Connect the wires to the sequencer.



Connect sequencer to Channel 5(Gear). Plug the triple connector labeled **CH5.B**(Gear)to the sequencer at the side with a capitalized **B**, plug the triple connector labeled **CH5.C**(Gear Cover) to the **C** side. **Note** signal wire on the **SAME** side(Orange).

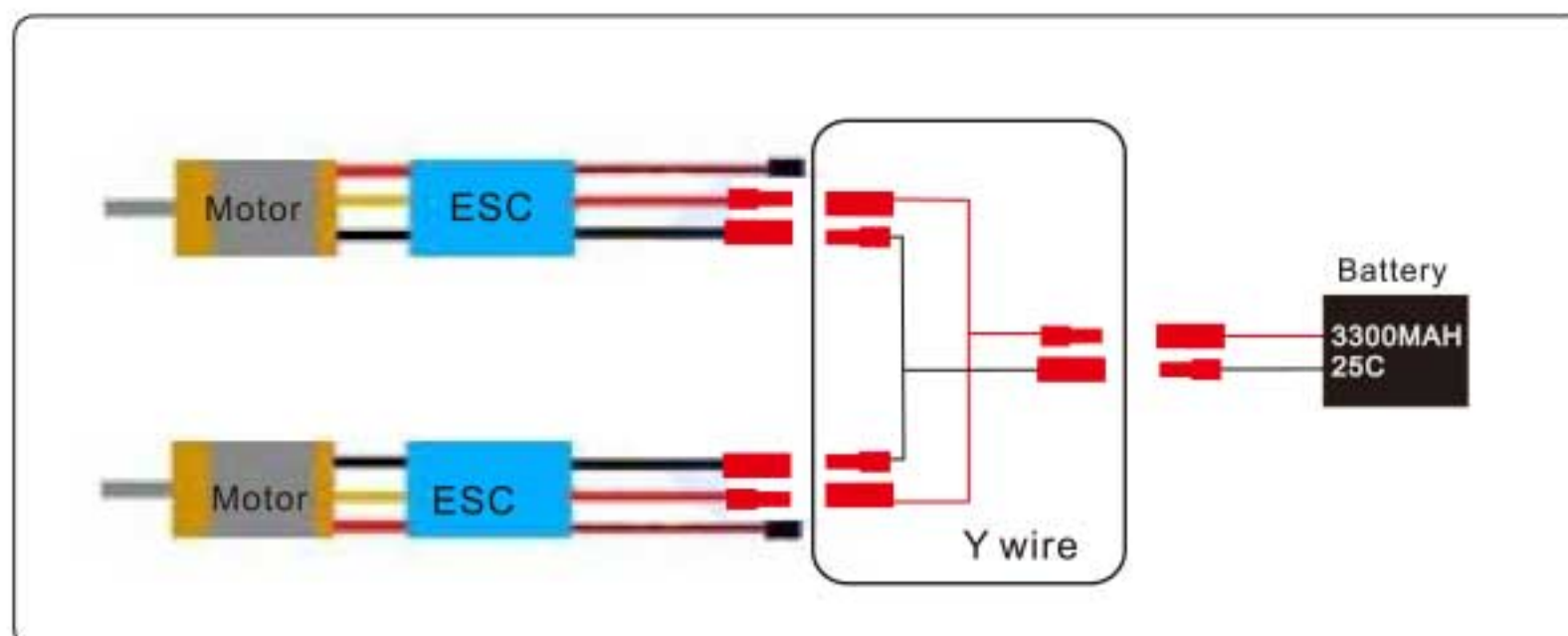
CH5B for the electronic retract landing gears.
CH5C for the servos of the landing gear box cover.



Please make sure to correctly orient the signal wire on the connectors (Refer to the labels on the neck of the signal wire).

ASSEMBLY

B. Diagram of parallel connection of two motors



17. Chamber for the wires.



18. Battery position.



19. Tie up the Velcro to secure the battery.



20. Install the antenna.



21. Turn on the transmitter before starting the power supply.



22. Connect the battery.



23. Install the canopy.



24. Switch the Ch5 several times to adjust the landing gear.
 Note: Keep the throttle and trim in the lowest position before operating on the CH5.



The state before the flight.

Notice!

Don't fly the airplane until one hour later after finishing assembly, as the glue may not function well.

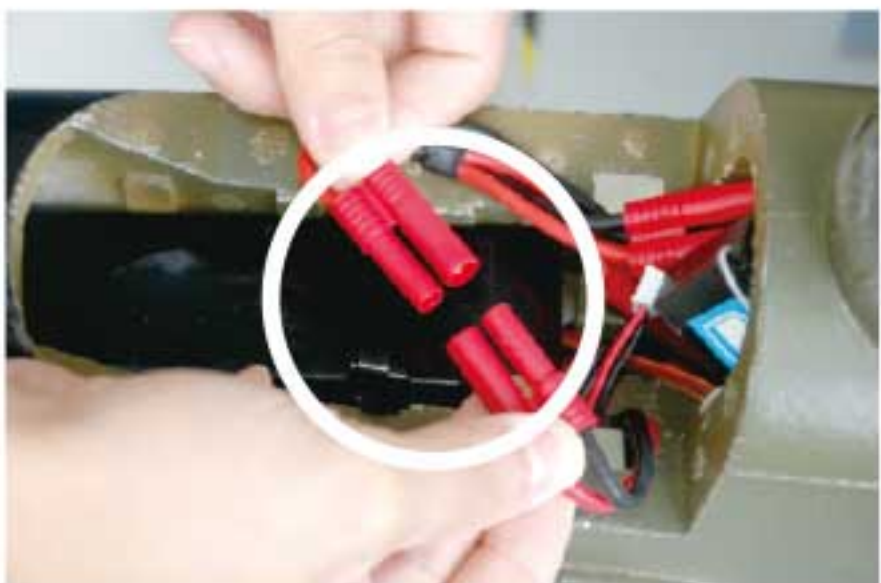
Preparation before flight



1. Throttle in lowest level, the same with trim.



2. Turn on the transmitter.



3. Connect power battery, adjust the elevator and rudder.

CENTER OF GRAVITY (C.G.)



SPARE PART LIST



Fuselage



Main Wing Set



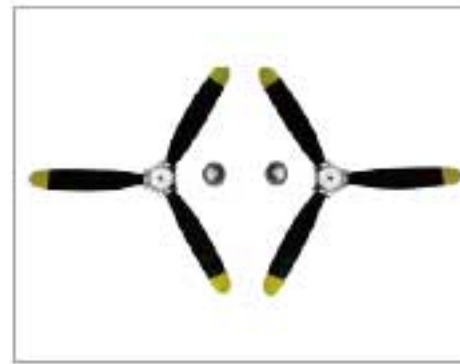
Nacelle



Elevator



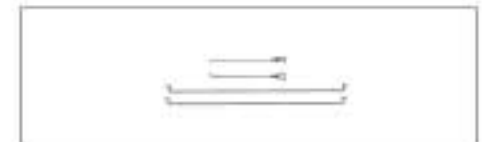
Rudder



Propeller



Canopy



Linkage Rod



Brushless Motor



Landing Gear Set



Charger



Brushless ESC



Screw set



9g Servo



Sequencer



Battery



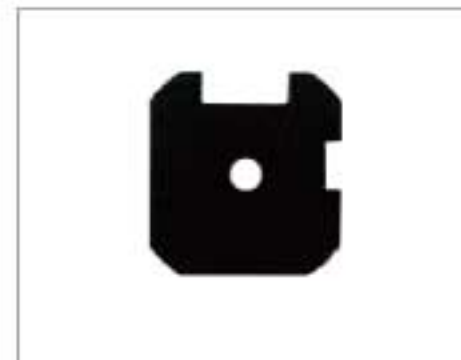
Sticker



Carbon Fiber Pipe



Cowl



Motor Board

Flight Preparation

Make sure that batteries in your transmitter and aircraft are fresh and the antenna is extended all the way up. This will ensure full range for your aircraft. If you notice the plane is going to crash, cut throttle immediately. This will minimize damage.

Flight adjustment

1. **B-25** will fly better with fully-charged batteries.
2. Keep flight straight: when you find it is difficult to fly straightly, please adjust the trim on the transmitter. For example, when you find **B-25** always fly leftward please push the trim on the transmitter inverse direction---right, as this will move the rudder to compensate.
3. Keep flight horizontal: when you find it is difficult to fly **B-25** straightly, please adjust the trim on the transmitter. For example, when you find it always fly upward; please push the trim on the transmitter toward the top, as this will adjust the position of the elevator.

Flight attention

1. Never fly in strong wind.
2. Do not fly at any place where another same-frequency model is flying.
3. Taking off:

Always take off toward the wind;

If you want to launch **B-25** by hands, maximize the power(including the micro adjustment)and run several meters to accelerate yourself, at last throw it horizontally.

If you want to launch **B-25** on the ground, maximize the power and let it accelerate, keep it running straightly, after it runs more than 60 feet, you can pull the elevator joy stick, and it will take off.

4. Course: you need only 30% of the maximum power to keep **B-25** flying. It is a good idea to fly with power for a while and glide for a while .
In this way You can increase your maximum flight time and familiarize yourself with landing approaches.
5. Landing: Before landing, switch off the power, fly toward the wind, and when **B-25** flies near to the ground, you may pull the elevator joystick and it will land gently. It really needs practice, although it sounds easy. it may be difficult for yo until you do this many times.

Battery Charger User Manual

The design of FMS-08001 Li-battery balance charger conforms to the latest technology, enabling the stable and balance charge to battery. This product has various advantages of easy-to-use, safety and reliability etc, ensuring to avoid the reduction of battery performance caused by unbalanced discharge and the risks resulted from unbalanced charge.

Please read this manual carefully prior to use this product, ensuring to fully understand the performance of FMS-08001 and product safety.

Power Supply Sizing

1. It is recommended to use 11-14V,20W,DC power supply, or use Vehicle Battery>15AH, 12V(safety charge voltage range from 11V14V).
2. Do not use DC power supply>14V.

Technical Data:

1. Input: DC 11v-14v,1A,output:DC 12.6V,800mA (+-10%).
2. Available to balanced or unbalanced charge 2 or 3 battery blocks.
3. Dimension size:73×50×25mm.
4. The typical value of voltage difference among 3 full-charged battery blocks is lower than 40mV.
5. The cut-off voltage of charger ranges from 4.19V-4.21V.

Danger:

1. Do not charge 2 or 3 batteries at the same time.
2. Do not charge other batteries than Li-battery. Or else, It will cause battery abnormal(over-heat or fire). The battery type must be validated prior to charging,

Warning:

In case of FMS-08001 in use, please stay and take care of the charging process .If any accident occurs, terminate the charging process immediately. In addition, stop charging immediately if the battery is overheating.

Notes:

1. In case of FMS-08001 in use, keep the charger away from inflammable thing. The electric spark caused by connecting or disconnecting battery is highly dangerous to cause explosion.
2. During the charger in use, please stay and take care of the charging process. If any accident occurs, terminate the charging process immediately. In addition, stop charging immediately if the battery is overheating.
3. Do not charge other batteries than Li-battery.
4. Do not charge immediately in case of battery in tepidity.
In case that charge the battery in tepidity, the battery can't be fully charged to the highest capacity,
and thus can't reach the maximal performance. This maybe result into the failure due to overheated. Therefore, the battery must be charged after battery is fully cooled.
5. Do not disassembly FMS-08001 and its accessories.
The disassembly or re-assembly of FMS-08001 and its accessories may cause malfunction or failure, and also cause malfunction of abnormal operation.

Introduction:

1. Connect the charger with regulated power supply, the red LED of power supply is on.
2. Connect the battery to be charged , the green LED is on, and then start the constant-current-restricted –voltage charging mode with 800mA.
3. The green LED will be off after charge fully completed.



WARBIRDS OF FMS



1400MM RANGE



MORE WARBIRDS ARE COMING SOON



Email: info@fmsmodel.com
Http:// www.fmsmodel.com

MADE IN CHINA